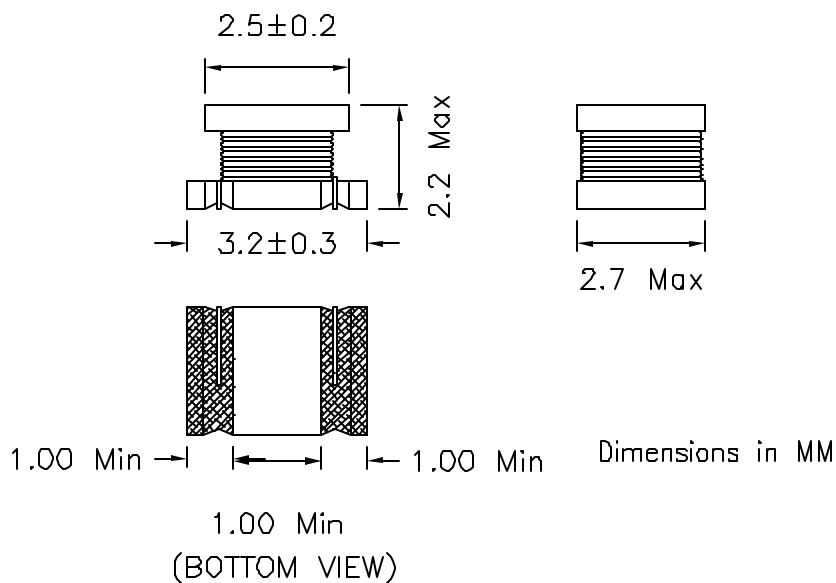


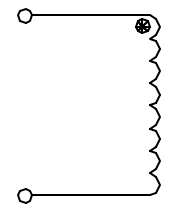
XFWIC322722 SERIES INDUCTORS

- * True Surface Mount Design
- * Low Cost, Extremely High Quality Product
- * Tape & Reel Packaging Standard, 7500 Pcs per 13"Reel
- * High Inductance, High Power Ratings For Your Laptop, Palmtop, Point of Power Application
- * Custom Versions Available At No Extra Charge
- * Industrial Operating Temp: -40 to +85°C
- * Flammability Rating: UL94V-0

Dimensions:



Schematic:



Part Number	Inductance (uH)	Test Freq. (MHz)	DCR Max (OHM)	SRF MHz Min.	I RATED (mA)
XFWIC322722-1R0	1.0	7.96	0.078	100	1000
XFWIC322722-2R2	2.2	7.96	0.126	64	790
XFWIC322722-4R7	4.7	7.96	0.195	43	650
XFWIC322722-100	10	2.52	0.572	26	300
XFWIC322722-220	22	2.52	0.923	19	250
XFWIC322722-470	47	2.52	1.69	15	170
XFWIC322722-101	100	0.796	4.55	10	100
XFWIC322722-221	220	0.796	10.92	6.8	70
XFWIC322722-331	330	0.796	13.00	5.6	60
XFWIC322722-391	390	0.796	22.10	5.0	60
XFWIC322722-471	470	0.796	24.70	5.0	60
XFWIC322722-561	560	0.796	28.60	5.0	60